

THIS DRAWING IS UNPUBLISHED.

RELEASED FOR PUBLICATION

20

LOC

DIST

REVISIONS

© COPYRIGHT 20 BY - ALL RIGHTS RESERVED.

DY

-

P LTR

DESCRIPTION

DATE DWN APVD

E4

ADD new p/n with width cavity

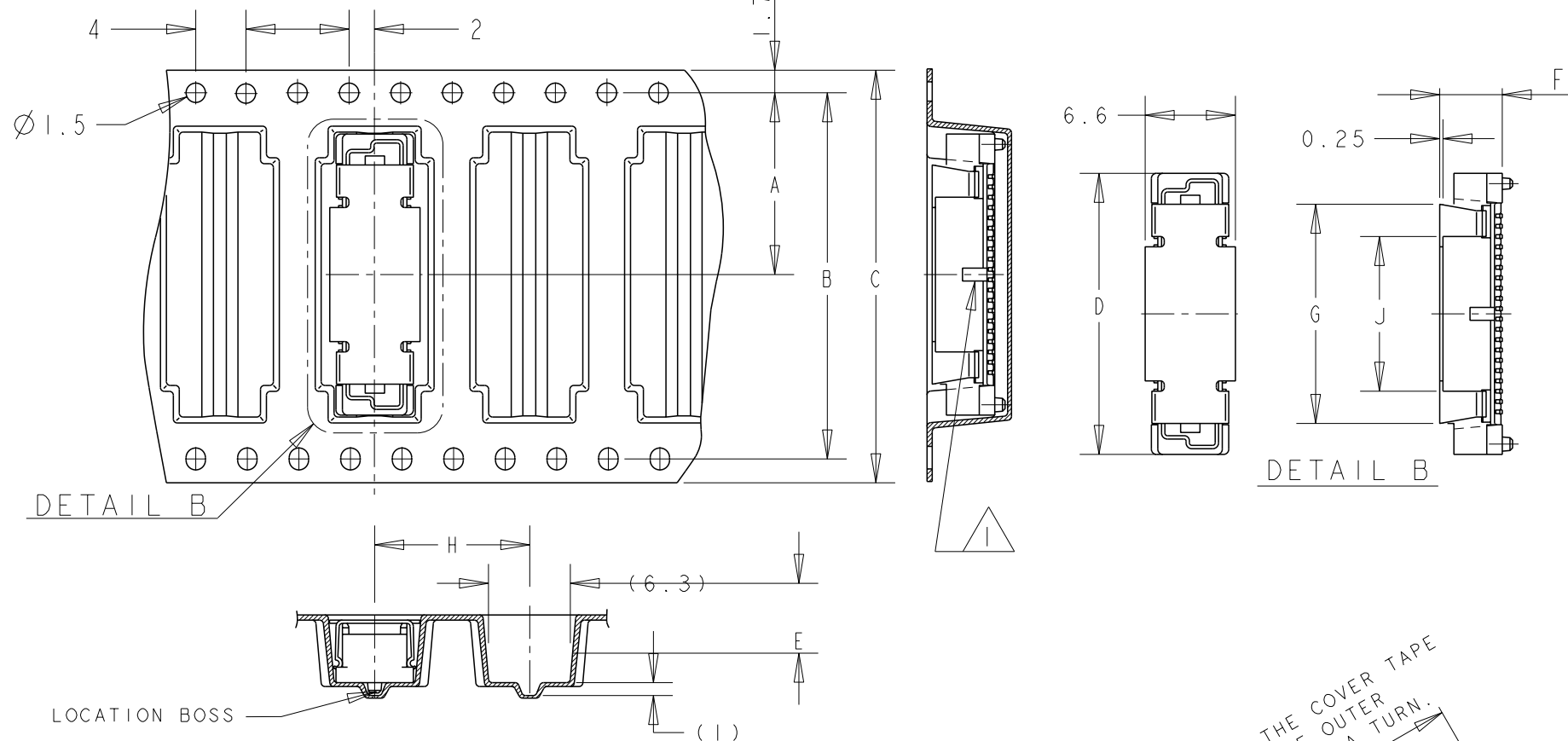
15APR15 I.T.W.H

Notes:

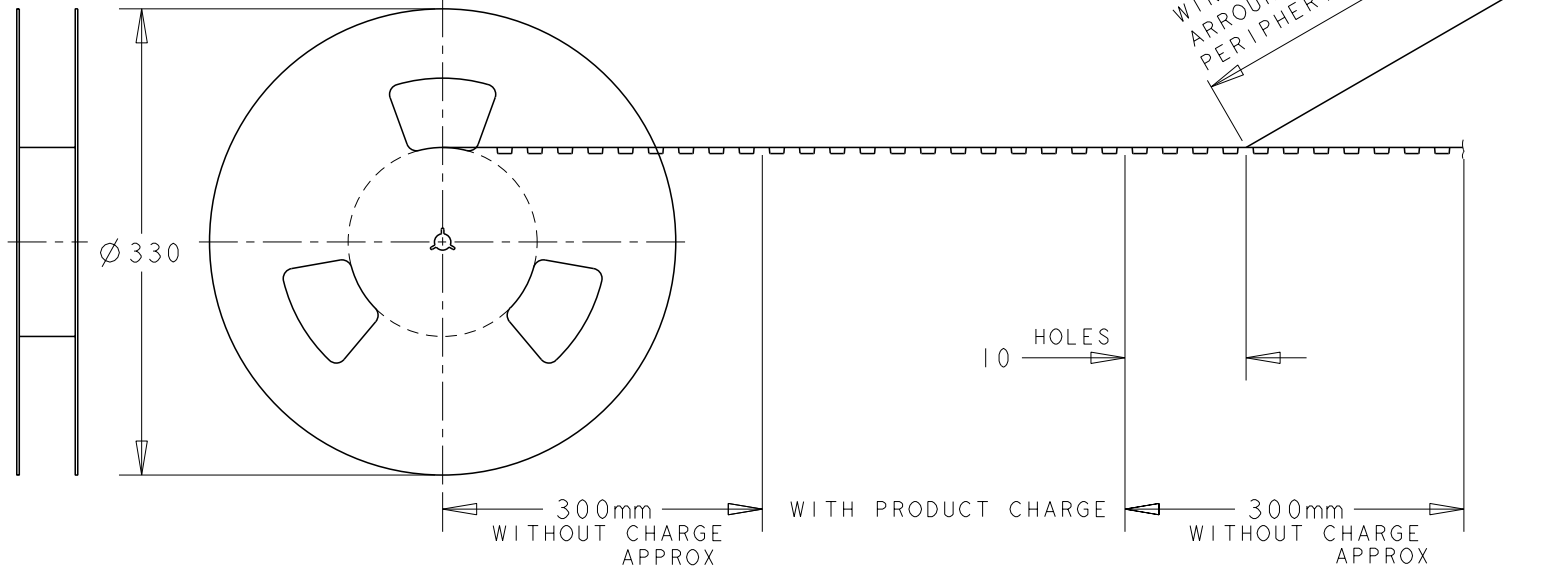
- 1 CUTOUT FEATURE AVAILABLE ONLY ON 5H ASSY P/N -1 (40P) AND -2 (60P).
- 2 0.00038 MIN GOLD PLATING (15u INCHES GOLD PLATING)
- 3 CONNECTOR DIMENSIONS REFERENCED FROM DRAWING WHICH CONN. P/Ns BASED

HALOGEN FREE

DIRECTION OFF TOP OF REEL



0.00076 MIN GOLD PLATING (30u INCHES GOLD PLATING)	450	16	61.8	88	84.4	42.2	140	1-	-6	7-	-6	
								53.8	88	84.4	42.2	120
	700	7H	12	6.85	7.25	21.8	32	28.4	14.2	40	1-5179030-1	7-5177986-1
	550	16	45.8	72	68.4	34.2	100	1-	-4	7-	-4	
	800	6H	12	5.85	6.25	21.8	32	28.4	14.2	40	5084615-1	6-5177986-1
	650	16	45.8	72	68.4	34.2	100	1-	-4	5-	-4	
900	5H	12	4.85	5.25	21.8	32	28.4	14.2	40	5084614-1	5-5177986-1	
												69.8
450	7H	12	6.85	7.25	53.8	72	68.4	34.2	120	3-5179030-5	4-5177986-5	
												85.8
400	16	45.8	72	68.4	34.2	100	1-	-9	3-	-9		
												37.8
600	8H	12	7.85	8.25	21.8	32	28.4	14.2	40	5179031-1	3-5177986-1	
												69.8
450	16	45.8	72	68.4	34.2	100	1-	-4	3-	-4		
												37.8
700	7H	12	6.85	7.25	21.8	32	28.4	14.2	40	5179030-1	2-5177986-1	
												69.8
500	16	45.8	72	68.4	34.2	100	1-	-4	2-	-4		
												37.8
800	6H	12	5.85	6.25	21.8	32	28.4	14.2	40	5179029-1	1-5177986-1	
												69.8
650	16	45.8	72	68.4	34.2	100	1-	-4	1-	-4		
												37.8
900	5H	12	4.85	5.25	21.8	32	28.4	14.2	40	5177984-1	5177986-1	
												69.8



WINDING THE COVER TAPE AROUND THE OUTER PERIPHERY IN A TURN.

THIS DRAWING IS A CONTROLLED DOCUMENT.		DWN FLORENCE TAN 30AUG04		
DIMENSIONS: mm		CHK ERIC TNG		
TOLERANCES UNLESS OTHERWISE SPECIFIED:		APVD SE LEONG	NAME PLUG ASSEMBLY (0.5 BOSS LENGTH) FOR FH 0.8 B-T-B CONN. ON TAPING	
0 PLC ±-		PRODUCT SPEC 108-5390	SIZE A3	
1 PLC ±0.3		APPLICATION SPEC 114-5254	CAGE CODE 00779	DRAWING NO C-5177986
2 PLC ±0.25		WEIGHT -	RESTRICTED TO -	
3 PLC ±0.2		CUSTOMER DRAWING		
4 PLC ±-		SCALE 2:1		
ANGLES ±3°		SHEET 1 OF 1		
FINISH -		REV E4		